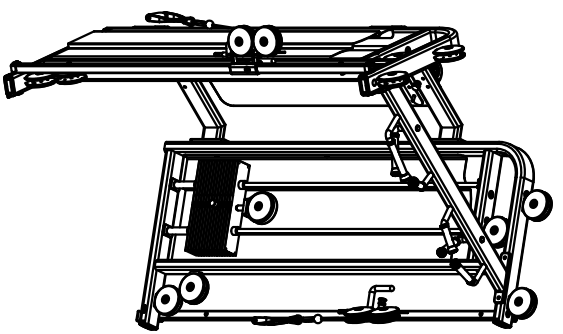
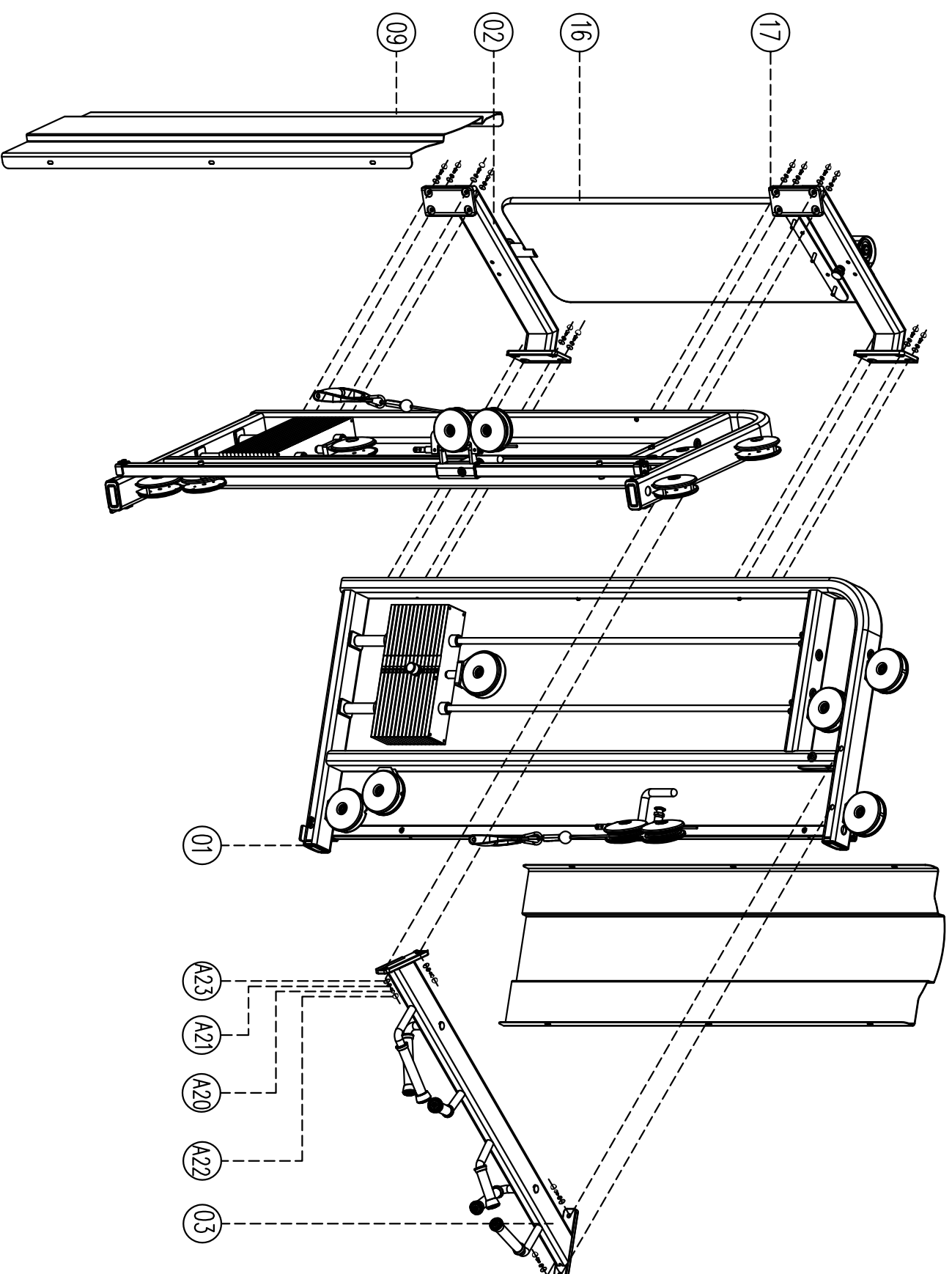


Exploded

E1017 Multi Functional Trainer



please note :parts didn't demolition part and fast eners not listde on the introduction

A23	Gasket DQ003 $\phi 12*\phi 30*T1.5$	20
A22	Screw cap S277	20
A21	Spring washer $\phi 12$	20
A20	Outer hex screw M12*35	20
17	Top connector	1
16	旋转台	1
09	Back shroud	2
03	Connector	1
02	Connector	1
01	Main frame	2
serial number	name	quantity